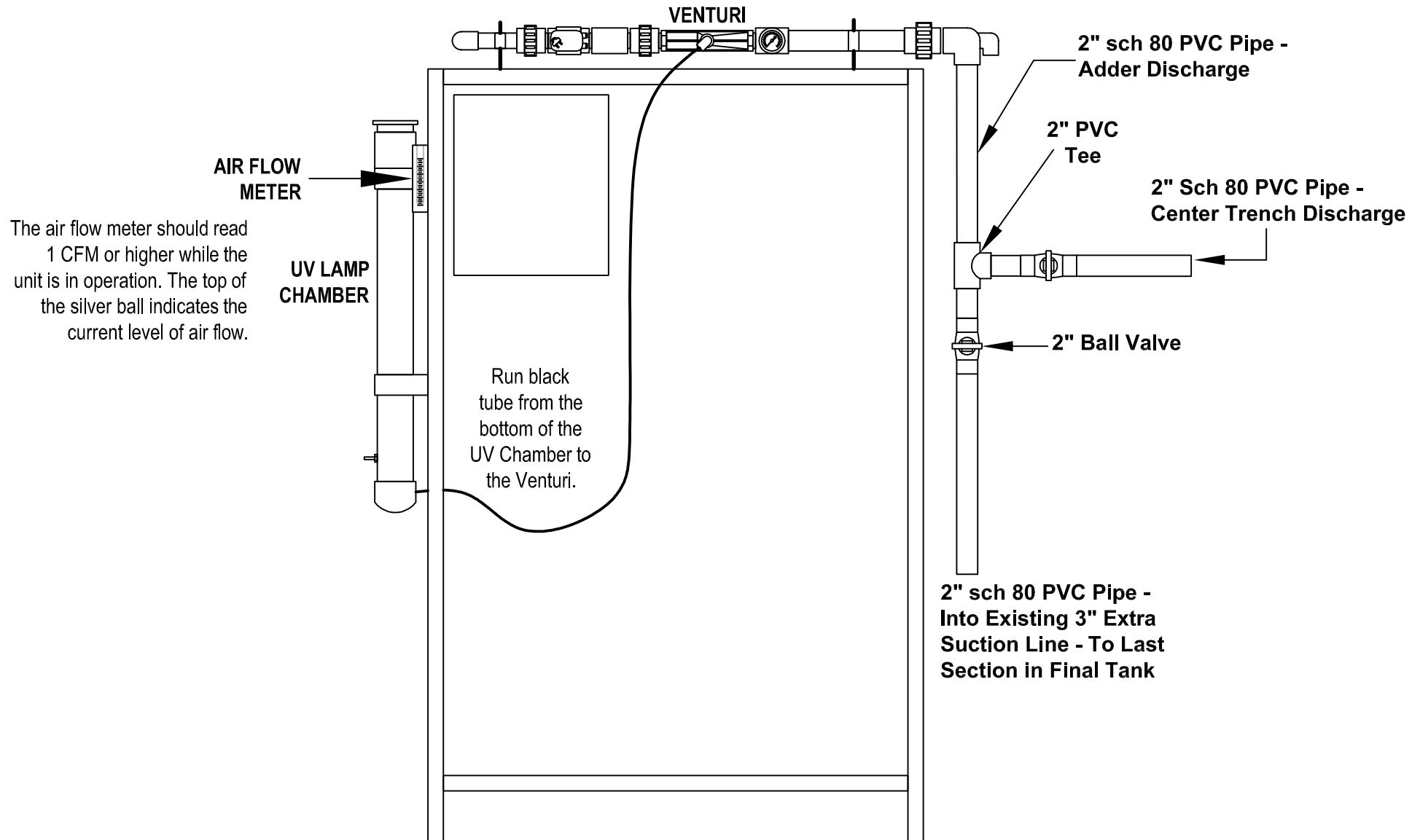
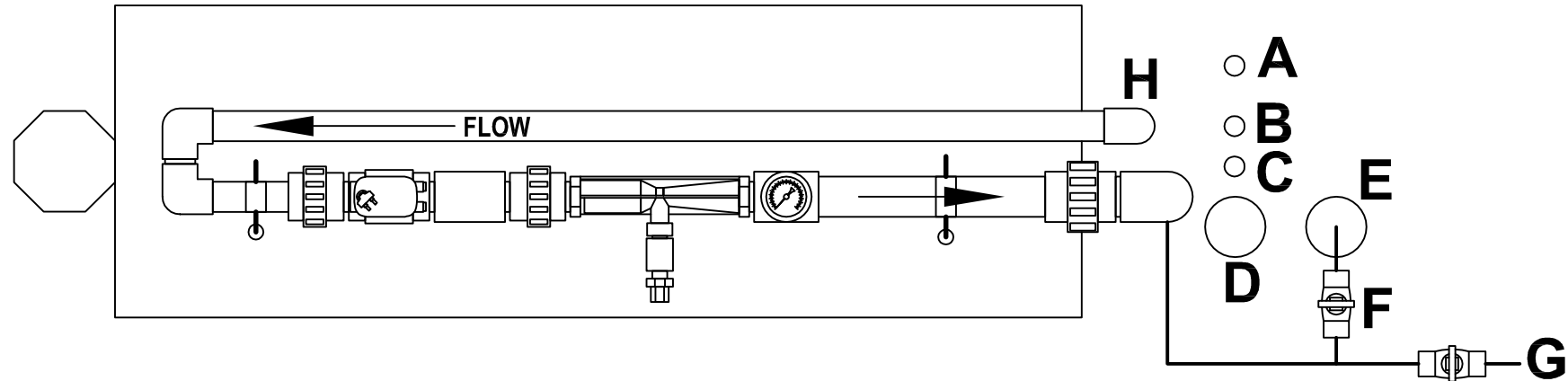


# SoBrite Adder Plumbing Typical



# PURWATER FRAME - TOP VIEW

## AquaPrep<sup>1</sup> Adder - Plumbing Details



### PIPE LEGEND

- A** - 1" Connection to Underflow Discharge Line at Lower Rear of Frame
- B** - 1" Return Line To Second Chamber Of First Underground Tank
- C** - 1" Conduit to Last Chamber of Final Tank for the Float Switch
- D** - 3" Suction Line From Last Chamber of Final Tank
- E** - 3" Suction Line From Last Chamber of Final Tank
- F** - 2" sch 80 PVC Pipe - Adder Discharge Tee'd w./ Ball Valve (For flow Control) To - **E** 3" Line to Last Chamber in the Final Tank (No Foot Valve)
- G** - 2" sch 80 PVC Pipe - Adder Discharge Tee'd w./ Ball Valve (For flow Control) To - **\*10' From Entrance End of Center Trench\***
- H** - 1.5" Hose - SoBrite Adder Inlet

**\*A, B, C, D, & E Are PurWater Existing Stub-Ups**